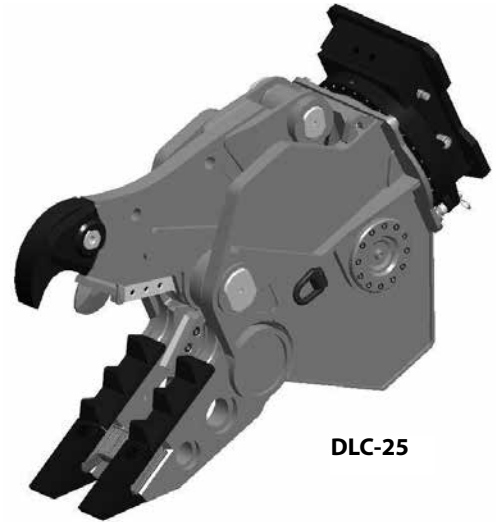


Rotating Combi Crusher/Demolition Crusher/Pulveriser DLC / DLD / DLP

The rotating demolition tools of the new Dedicated Demolition Line (DDL) have been developed for primary and secondary demolition. Their jaws are designed for each application area within a demolition job site: Combi Crusher DLC, Demolition Crusher DLD or Pulveriser DLP.

Advantages:

- Powerful cylinder with robust pin suspension.
- Cylinder in two chamber technique with speed valve.
- Rotation with additional oil passage.
- Twin rotation motors for extra rotation power.
- Swing bearing double pivoted.
- Rotation circuit filters.
- Teeth, shrouds and cutting blades exchangeable.
- Excellent speed/ power to weight ratio.
- DLP: exchangeable ground tooth-plate.



DLC-25

Rotating Combi Crusher DLC									
Type	Operating weight excavator	Weight	Jaw opening	Width lower jaw	Width upper jaw	Height	Jaw depth	Length cutting blades	Closing force *
	(t/lbs)	(kg/lbs)	A (mm/in)	B (mm/in)	C (mm/in)	D (mm/in)	E (mm/in)	(mm/in)	(kN/lbf)
DLC-25	18 - 25 / 39600-55000	1840 / 4048	785 / 30.91	390 / 15.35	90 / 3.54	1940 / 76.38	800 / 31.50	400 / 15.75	650 - 900 / 143000-198000
DLC-30	22 - 35 / 48400-77000	2400 / 5280	875 / 34.45	455 / 17.91	100 / 3.94	2150 / 84.65	900 / 35.43	450 / 17.72	750 - 1100 / 165000-242000
DLC-45	32 - 50 / 70400-110000	2950 / 6490	980 / 38.58	470 / 18.50	100 / 3.94	2370 / 93.31	990 / 38.98	500 / 19.69	1000 - 1450 / 220000-319000

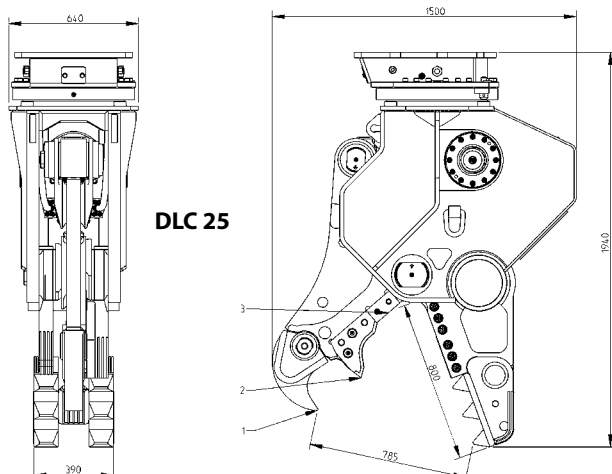
Rotating Demolition Crusher DLD									
Type	Operating weight excavator	Weight	Jaw opening	Width lower jaw	Width upper jaw	Height	Jaw depth	Length cutting blades	Closing force *
	(t/lbs)	(kg/lbs)	A (mm/in)	B (mm/in)	C (mm/in)	D (mm/in)	E (mm/in)	(mm/in)	(kN/lbf)
DLD-25	18 - 25 / 39600-55000	1850 / 4070	825 / 32.48	400 / 15.75	90 / 3.54	1980 / 77.95	800 / 31.50	200 / 7.87	700 - 1100 / 154000-242000
DLD-30	22 - 35 / 48400-77000	2400 / 5280	870 / 34.25	475 / 18.70	100 / 3.94	2155 / 84.84	885 / 34.84	200 / 7.87	800 - 1250 / 176000-275000
DLD-45	32 - 50 / 70400-110000	2950 / 6490	990 / 38.98	525 / 20.67	100 / 3.94	2360 / 92.91	950 / 37.40	200 / 7.87	1000 - 1500 / 220000-330000

Rotating Pulveriser DLP									
Type	Operating weight excavator	Weight	Jaw opening	Width lower jaw	Width upper jaw	Height	Jaw depth	Length cutting blades	Closing force *
	(t/lbs)	(kg/lbs)	A (mm/in)	B (mm/in)	C (mm/in)	D (mm/in)	E (mm/in)	(mm/in)	(kN/lbf)
DLP-25	18 - 25 / 39600-55000	1850 / 4070	790 / 31.10	400 / 15.75	325 / 12.80	1980 / 77.95	800 / 31.50	200 / 7.87	650 - 1000 / 143000-220000
DLP-30	22 - 35 / 48400-77000	2380 / 5236	860 / 33.86	475 / 18.70	350 / 13.78	2155 / 84.84	885 / 34.84	200 / 7.87	750 - 1100 / 165000-242000
DLP-45	32 - 50 / 70400-110000	2950 / 6490	985 / 38.78	525 / 20.67	400 / 15.75	2360 / 92.91	950 / 37.40	200 / 7.87	1000 - 1450 / 220000-319000

* Closing force at front tooth / splitting tooth

Type	Open/Close		Rotation	
	Pressure max. (bar/psi)	Flow (l/min/GPM)	Pressure max. (bar/psi)	Flow (l/min/GPM)
DLC-25 / DLD-25 / DLP-25	350 / 5040	120 - 200 / 31.70 - 52.84	140 / 2016	40 - 60 / 10.57 - 15.85
DLC-30 / DLD-30 / DLP-30	350 / 5040	150 - 250 / 39.63 - 66.05	140 / 2016	40 - 60 / 10.57 - 15.85
DLC-45 / DLD-45 / DLP-45	350 / 5040	200 - 300 / 52.84 - 79.26	140 / 2016	40 - 60 / 10.57 - 15.85

Technical Drawings



DLC 25



DLC-25 Combi-Crusher

DLD-25 Demolition Crusher

DLP-25 Pulveriser