

# ARX 90

ARTICULATED TANDEM ROLLER  
EU Stage IV / U.S. EPA Tier 4 Final



## MEETING THE HIGHEST STANDARDS

The Ammann ARX 90 Tandem Roller provides features and benefits that ultimately lead to added value for owners of the heavy compactor. It also meets EU Stage IV / U.S. EPA Tier 4 Final emissions standards. Compaction output is high and the system efficient. Each drum has an independent vibratory pump. The roller also features a heavy-duty, two-stage vibrator and easy adjustment of amplitude and frequency. The optional ACE<sup>force</sup> system provides a host of benefits including measurement and documentation, evaluation of material stiffness, operator guidance and documentation.

## COMPACTION PERFORMANCE

- Independent vibratory pump for each drum
- Heavy-duty, 2-stage vibrator
- Simple adjustment of amplitude/frequency

## EASY CONTROL

- Articulated steering
- Oscillating articulation joint
- 170 mm crab steering (both sides)

## OPERATOR FRIENDLY

- Spacious, comfortable and quiet cab
- Multifunctional display in steering wheel
- Tilttable and adjustable steering column
- Control switches on armrest

## EFFORTLESS MAINTENANCE

- On-board diagnostics
- Easy access to all service points
- Single-drive pump for reduced maintenance

## PRODUCTIVE OPTIONS

- Optional ACE<sup>force</sup> system guides operators, measures and documents and evaluates material stiffness
- Combination version available
- Chip spreader for project flexibility

## EXCELLENT VISIBILITY

- Excellent visibility to drum surfaces, edges and spraying bars
- Rotating and sliding seat

## APPLICATIONS

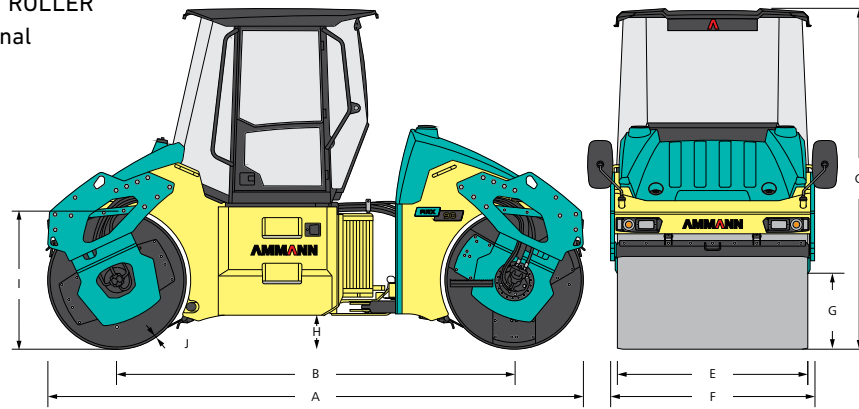
- Small and medium jobsites
- Local transport construction (municipal and town roads)
- Building construction (houses and industrial zones)

MAXIMUM RECOMMENDED COMPACTED LIFT THICKNESS AT OPTIMAL WORKING CONDITIONS

	Sand / Gravel	Mixed Soils	Silt	Clay	Stabilisation	Asphalt
ARX 90	0.4 m (16 in)	0.3 m (12 in)	-	-	0.2 m (8 in)	0.14 m (5.5 in)

**AMMANN**

TECHNICAL SPECIFICATIONS  
 ARX 90 ARTICULATED TANDEM ROLLER  
 EU Stage IV / U.S. EPA Tier 4 Final



**DIMENSIONS**

A	MACHINE LENGTH	4720 mm (185.8 in)
B	WHEELBASE	3500 mm (137.8 in)
C	MACHINE HEIGHT	3000 mm (118.1 in)
E	DRUM WIDTH	1680 mm (66.1 in)
F	MACHINE WIDTH	1800 mm (70.9 in)
H	GROUND CLEARANCE	300 mm (11.8 in)
I	DRUM DIAMETER	1220 mm (48.0 in)
J	DRUM SHELL THICKNESS	19 mm (0.7 in)

**MISCELLANEOUS**

BRAKES OPERATING	Hydrostatic
BRAKES PARKING	Mechanical multiple-disc
BRAKES EMERGENCY	Mechanical multiple-disc
FUEL TANK CAPACITY	220 l (58.1 gal)
VOLTAGE	24 V

**WEIGHT & DRIVING CHARACTERISTICS**

	ARX 90	ARX 90 HF
OPERATING WEIGHT	9560 kg (21 080 lb)	9560 kg (21 080 lb)
MAXIMUM WEIGHT	11 010 kg (24 270 lb)	11 010 kg (24 270 lb)
STAT. LIN. LOAD OF FRONT DRUM	28.4 kg/cm (159 lb/in)	28.4 kg/cm (159 lb/in)
STAT. LIN. LOAD OF REAR DRUM	28.5 kg/cm (159.6 lb/in)	28.5 kg/cm (159.6 lb/in)
MAX. TRANSPORT SPEED	10.5 km/h (6.5 MPH)	10.5 km/h (6.5 MPH)
CLIMBING ABILITY WITHOUT / WITH VIBRATION	30% / 25%	30% / 25%
TURNING RADIUS INNER (EDGE)	5470 mm (215.4 in)	5470 mm (215.4 in)
CRAB MODE	170 mm (6.7 in)	170 mm (6.7 in)

**STANDARD EQUIPMENT**

- CE conformity
- Open platform with ROPS canopy
- 170° rotating and sliding working station with multifunctional display
- Two stage vibration system (2 frequencies / 2 amplitudes)
- Working lights 2 front, 2 rear
- Electronic idle control

**COMPACTION FORCES**

	ARX 90	ARX 90 HF
FREQUENCY I	42 Hz (2520 VPM)	46 Hz (2760 VPM)
FREQUENCY II	54 Hz (3240 VPM)	67 Hz (4020 VPM)
OSCILLATION FREQUENCY	40 Hz (2400 VPM)	40 Hz (2400 VPM)
AMPLITUDE I	0.7 mm (0.028 in)	0.62 mm (0.024 in)
AMPLITUDE II	0.34 mm (0.013 in)	0.23 mm (0.009 in)
OSCILLATION AMPLITUDE	1.3 mm (0,051 in)	1.3 mm (0,051 in)
CENTRIFUGAL FORCE I	84 kN	97 kN
CENTRIFUGAL FORCE II	68 kN	70 kN

**ENGINE**

MANUFACTURER	Deutz TCD3.6 L4
POWER ACCORDING TO ISO 14396	74.4 kW (100 HP)
MAXIMUM TORQUE	410/1600 Nm (ft lb)/rpm
ENGINE COMPLIES WITH EMISSION REGULATIONS	EU Stage IV / U.S. EPA Tier 4 Final



**OPTIONAL EQUIPMENT**

- Ventilated and heated Cab
- Air Condition
- ACE<sup>force</sup> compaction measurement (absolute values) and ADS documentation system
- GPS mapping for ACE systems
- Telematics-ready
- Chip spreader Ammann
- Edge cutter