



I44 IMPACT CRUSHER

The new I44 Impactor continues to bring high quality and high production capacity to McCloskey® mobile impactor applications.

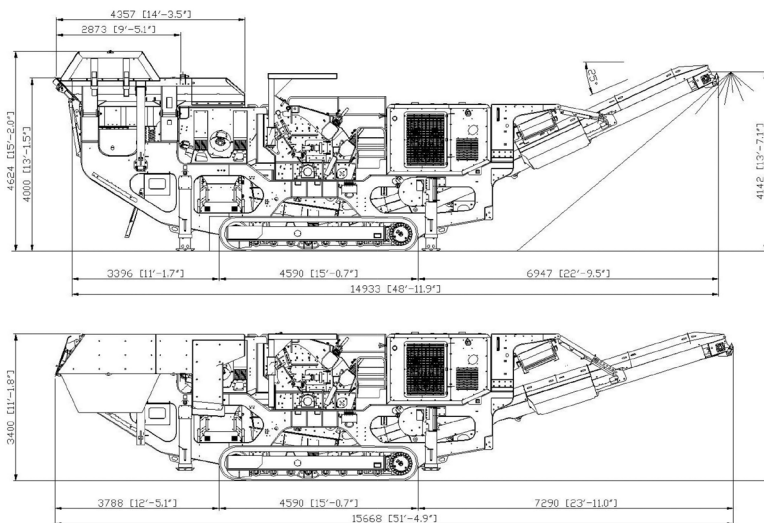
FEATURES

- ✓ 1050mm (41.3") diameter x 1125mm (44.3") wide Impactor
- ✓ 268kW (360Hp) engine
- ✓ Integrated hydraulic folding hopper
- ✓ I-beam plate fabricated chassis construction
- ✓ Open chassis design for ease of maintenance
- ✓ Fast setup time
- ✓ Integrated hydraulic folding stockpiling conveyors
- ✓ 365SiteConnex Telematics enabled.



Efficiency is boosted with the I44 crusher design, particularly in the material flow path. Each sectional component is wider than the last to allow an unrestricted flow without funneling or narrowing, eliminating material bridging. The direct drive crusher rotor is also a new feature on the I44, bringing more power, along with lower fuel costs.

The redesigned open chassis allows for better access, and a magnet contributes to easier operation of the crusher. The I44's versatility and upgraded design makes it ideal for some of the toughest applications worldwide, including aggregates, asphalt recycling, concrete recycling, mining, construction and demolition.



I44 TECH SPECS

Engine	268 kW (360 Hp)
Impact Rotor	1050mm x 1125mm (41.3" x 44.3")
Double Deck Grizzly Pre-Screen	
Width*	1064mm (41.9")
Length (overall)	2015mm (6' 7.3")
Section Opening**	40-70mm (1.6" - 2.8")
Section Length	2113mm (83.2")
Pan Feeder	1064mm x 2460mm (41.8" x 96.9")
Hopper Volume	6.0m ³ (7.8 yd ³)
Stockpile Height	
Main Conveyor	4142mm (13' 7.1")
Side Conveyor	2488mm (8' 2")

TRANSPORT

Transport Height	3.40m (11' 1.8")
Transport Length	15.668m (51' 4.9")
Transport Width	2.78m (9' 1.5")
Weight - w/ magnet & dirt conveyor	42,000 kg (92,594 lb)

OPTIONS

Main Conveyor Variable Speed Control |
Hopper Extensions | Overband Magnet |
Water Pump & Dust Suppression System |
Various Blow Bar Material Options | Work
Lights | Belt Scale