

# APR 4920

## REVERSIBLE VIBRATORY PLATE

### A PERFORMER ON STEEP GRADES

The APR 4920 features good manoeuvrability and power with an 8.2 kw engine available to help with climbing and, ultimately, compaction. The machine performs at grades up to 30%. Working widths of 450 mm can be broadened with extensions of 75 mm and 150 mm. Engine unit is completely covered by a durable and protective engine hood that offers wide openings for great accessibility when servicing the machine.

#### INNOVATIVE HANDLE

- The low vibration handle reduce stress on the operator.
- Round handle for optimized grip for all individual operator
- Opening in handle prevents the machine from getting damaged by lifting on unsuitable positions

#### MAKES THE GRADE

- Overcomes grades between 30% and 35%.
- Remains fastest machine on the market.

#### READY TO RENT

- Low-cost upkeep.
- Good match for many applications.
- Easy for new users to operate.

#### TWIN-SHAFT EXCITER UNIT

- Shaft positioning enables the operator to easily change directions.
- Smooth variable hydrostatic unit allows machine to move easily in forward and reverse.
- "On-the-spot" vibration can be utilised in particularly challenging areas.

#### DURABLE

- Engine cover to protect all components from dust and dirt.
- Well-protected, robust centrifugal clutch with wear-resistant V belt.
- Service-friendly exciter unit with long lifetime.
- Fresh air suction behind the machine leads to longer lifetime

#### OPTIONAL TECHNOLOGY

- ACE<sup>econ</sup> continuously measures and monitors the compaction level

#### APPLICATIONS

- Earthwork and paving applications
- Road and rail track construction
- Compaction work in narrow trenches, confined areas
- Landscape and gardening
- Foundation work
- Sensitive surfaces (with optional rubber mats for stone protection)

# AMMANN

TECHNICAL SPECIFICATIONS  
APR 4920 REVERSIBLE VIBRATORY PLATE

**WEIGHT & DIMENSIONS**

	<b>DIESEL</b>
MACHINE WEIGHT	391 kg (862 lb)
WITH EXTENSION PLATES 75 MM	413 kg (910 lb)
WITH EXTENSION PLATES 150 MM	424 kg (935 lb)
A BASE PLATE LENGTH	450 mm (17.7 in)
B MACHINE LENGTH	898 mm (35.3 in)
C WITH HANDLE	1485 mm (58.5 in)
D MACHINE HEIGHT	817 mm (32.2 in)
E HANDLE HEIGHT (WORK)	1000 mm (39.4 in)
F HANDLE HEIGHT (TRANSPORT)	1285 mm (50.6 in)
G MACHINE WIDTH	450 mm (17.1 in)

**ENGINE**

ENGINE	Hatz 1B40
FUEL	Diesel
ENGINE OUTPUT	9 HP / 6.6 kW
AT RPM	2900
FUEL CONSUMPTION	1.6 l/h (0.4 gal)

**COMPACTION FORCES**

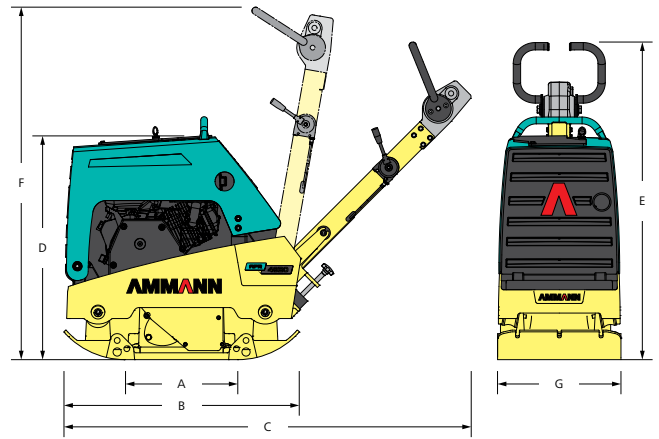
MAX. VIBRATION FREQUENCY	65 Hz (3900 vpm)
MAX. CENTRIFUGAL FORCE	49 kN (11 lbf)
WORKING SURFACE	845 m <sup>2</sup> /h (9095 ft <sup>2</sup> /h)
WITH EXTENSION PLATES 75 MM	1115 m <sup>2</sup> /h (12002 ft <sup>2</sup> /h)
WITH EXTENSION PLATES 150 MM	1395 m <sup>2</sup> /h (15016 ft <sup>2</sup> /h)
MAX. COMPACTION DEPTH (DEPENDENT ON GROUND CONDITIONS)	60 cm (24 in)

**MISCELLANEOUS**

SPEED	0–35m/min
FUEL TANK	5 l (1.1 gal)
GRADEABILITY	30 %
MAX. INCLINE TO ALL SIDES	25 °

**STANDARD EQUIPMENT**

- Foldable cover allows easy maintenance and assures good engine protection
- Sturdy protection frame with central lifting point
- Powerful and reliable petrol or diesel engine
- 2-shaft exciter with long service intervals
- Well protected, sturdy centrifugal clutch with wear resistant V-Belt
- 3 year extended warranty program



**OPTIONAL EQUIPMENT**

- Transport wheels
- Vulcollan mat for applications on paving stones
- Electric starter (Diesel engine)
- Hour meter
- Extension plates
- ACE<sup>econ</sup>